

NOTE: 1  
 DESIGN CODE:  
 ISO 13628-8 Type A/API 6A

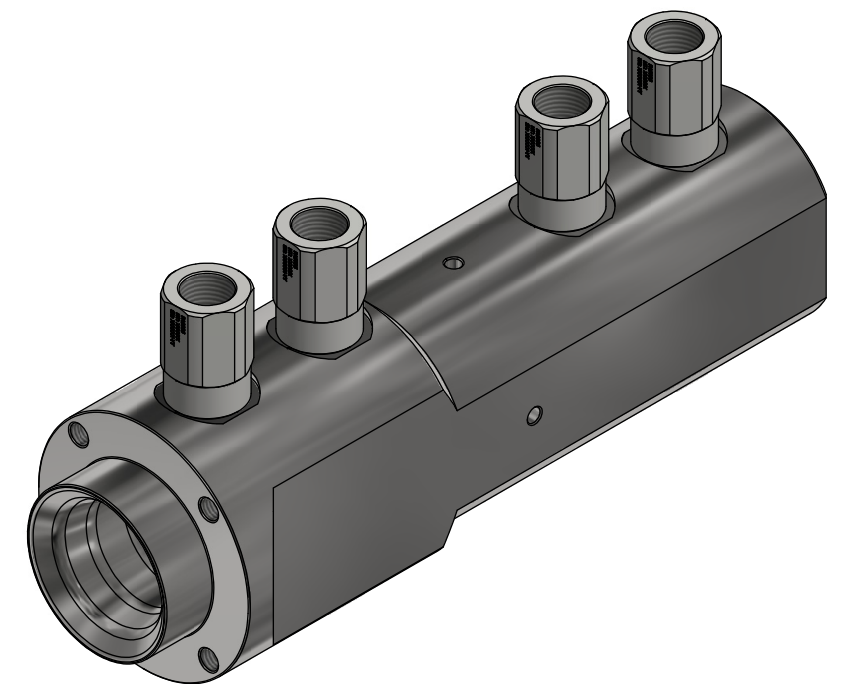
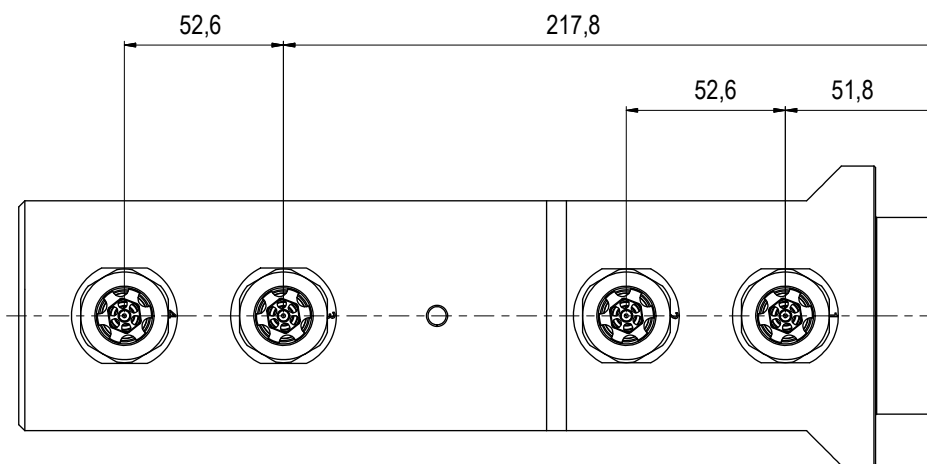
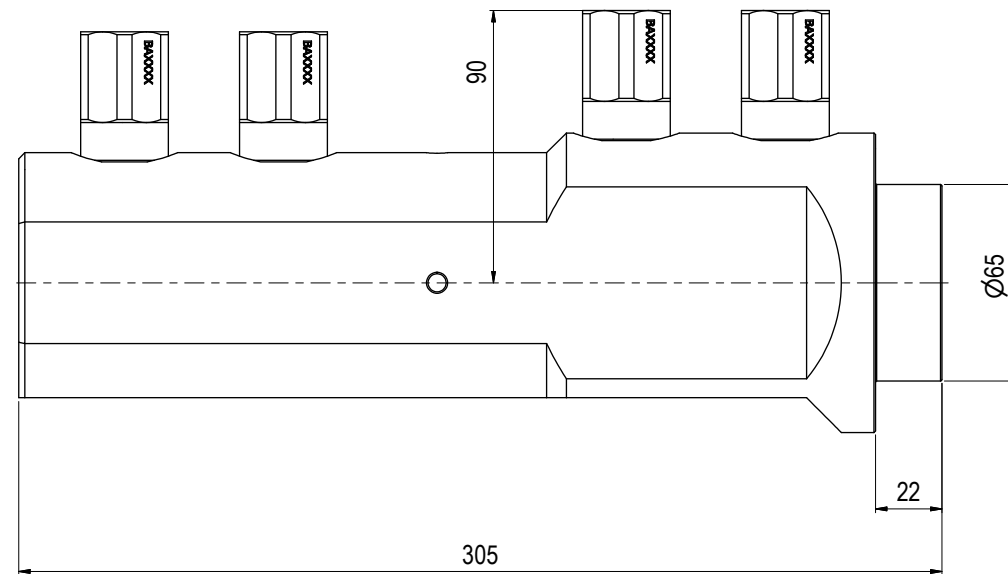
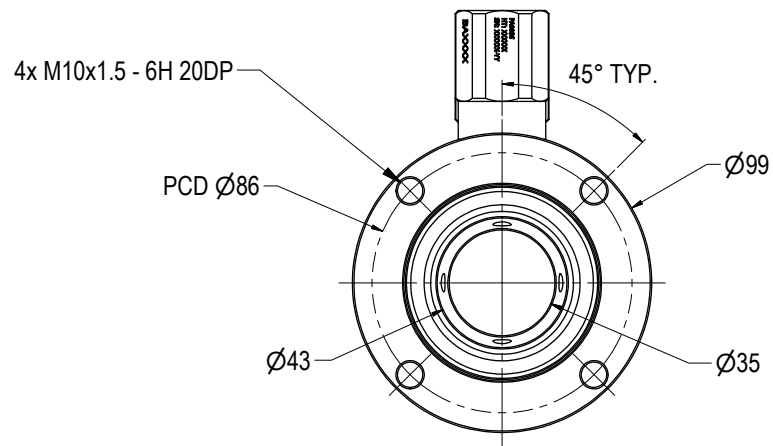
NOTE: 2  
 TECHNICAL CLASSIFICATION:  
 Article Type: 001-Hot Stabs  
 Main Group: 1.02. Ø35/Ø43 Hot Stab  
 Intermediate Group: 1.3.02. Receptacle  
 Sub Group: 1.3.10.04. Quad

NOTE: 3  
 INTERFACE INFORMATION:  
 Pressure Rating Bar: 690  
 Design Water Depth: N/A  
 Material: Intervention  
 Weight: 10,8 kg  
 Volume: 1,38 dm<sup>3</sup>  
 Submerged Weight: 9,39 kg  
 Surface Area: 1988 cm<sup>2</sup>  
 Hydraulic: 1/2" BSP  
 Mechanical: 4xM10@PCD 86  
 Electrical: N/A  
 Com. & Protocol: N/A

NOTE: 4  
 SPAREPARTS:  
 BA5291

NOTE: 5  
 WEB LINK:  
<http://e-sea.bluelogic.no/main.aspx?page=article&artno=BA4006>

NOTE: 6  
 ADDITIONAL INFORMATION:  
 Other hydraulic port interface can be delivered on customers request.



Rev.	Date	Reason for issue	Revision change	Made	Chk'd	Appr.
02	12.5.2014	9-IFU (Issued for Use)		WTJ	HNJ	WTJ
01	13.9.2013			HNJ	N/A	N/A

**BLUE LOGIC**

This Drawing is the Property of Blue Logic AS © and must Not be Loaned, Reproduced or Transferred to others without written Permission

Dwg Scale:	NTS
Dwg Proj:	
Dwg Format:	A3

Drawing title:	Ø35/Ø43 QP Rec 10k Interv wCV BSP 1/2"	
Drawing number:	BA4006	Rev: 02